

# Pressure Gauges

Accessories

DGAUGE1096XEN2

## Standard $\varnothing$ 2" and $\varnothing$ 2-1/2" Pressure Gauges

### Specifications

All standard gauges are stock items, please consult TESCOM for special gauge features.

### Applications

- Designed for general, laboratory and semiconductor applications involving the measurement of compressed gases compatible with the materials of construction
- For gaseous media
- Gas filling pressure indicator on cylinder regulators
- Machine building and general plant construction



### OPERATING PARAMETERS

#### Bourdon Tube

Phosphor Bronze, Beryllium copper or Stainless Steel, depending on gauge style and pressure

#### Accuracy

##### Brass

ASME B40.1 Grade B, middle half of scale - 2% of scale range, remainder: 3%

##### Stainless Steel

Grade A, middle half of scale - 1% of scale range, remainder 2%

#### Scale

Single-scale psi or multi-scale psi/bar; psi/kPa; psi / kg/cm<sup>2</sup>; psi / kg/cm<sup>2</sup> / inches Hg

#### Pressure Ranges

Vacuum up to 10,000 psig / 690 bar

#### Movement

##### Brass

Quality brass construction with gears precision generated and bearing surfaces finely finished to ensure smooth motion and extended service life

##### Stainless Steel

Glasstuf links with Stainless Steel pins

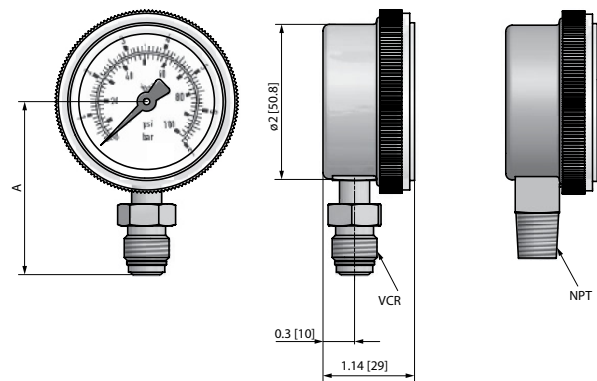
### OTHERS

#### Cleaning

ASME B40.1 Level IV

VCR® is a registered trademark of Cajon Company.

### $\varnothing$ 2" Stainless Steel Gauge Drawing



All dimensions are reference & nominal  
Metric [millimeter] equivalents are in brackets

CONNECTION 1/4"	DIMENSION A, inch [mm]
NPT	1.94 [49.0]
VCR® Male swivel Ultra High Purity	2.32 [58.9]

See next 2 pages for ordering information for  $\varnothing$  2" and  $\varnothing$  2-1/2" gauges by world area.

Standard  $\varnothing$  2" and  $\varnothing$  2-1/2" Pressure Gauges

Ordering Information

1/4" NPT, Stainless Steel		
PART NUMBER	SCALE	MAXIMUM PRESSURE
<b><math>\varnothing</math> 2" Diameter</b>		
62837-0030N20	psi / bar	30/2
62837-0060N20	psi / bar	60/4
62837-0100N20	psi / bar	100/7
62837-0200N20	psi / bar	200/14
62837-0400N20	psi / bar	400/28
62837-0600N20	psi / bar	600/42
62837-1000N20	psi / bar	1000/69
62837-2000N20	psi / bar	2000/137
62837-3000N20	psi / bar	3000/207
62837-4000N20	psi / bar	4000/280
62837-6000N20	psi / bar	6000/414
62837-7500N20	psi / bar	7500/517
62837-10000N20	psi / bar	10,000/690
62837-V015N20	psi / bar	30/0/15
62837-V030N20	psi / bar	30/0/30
62837-V060N20	psi / bar	30/0/60
62837-V100N20	psi / bar	30/0/100
62837-V200N20	psi / bar	30/0/200
<b><math>\varnothing</math> 2-1/2" Diameter</b>		
62837-0060N25	psi / bar	60/4
62837-0100N25	psi / bar	100/7
62837-0200N25	psi / bar	200/14
62837-0400N25	psi / bar	400/28
62837-0600N25	psi / bar	600/42
62837-4000N25	psi / bar	4000/280
62837-6000N25	psi / bar	6000/414
62837-7500N25	psi / bar	7500/517
62837-10000N25	psi / bar	10,000/690

1/4" VCR® Male Swivel, Stainless Steel		
<b><math>\varnothing</math> 2" Diameter</b>		
47760-0030M	psi / kg/cm <sup>2</sup>	30/2
47760-0060M	psi / kg/cm <sup>2</sup>	60/4
47760-0100M	psi / kg/cm <sup>2</sup>	100/7
47760-0200M	psi / kg/cm <sup>2</sup>	200/14
47760-4000M	psi / kg/cm <sup>2</sup>	4000/280
47760-V030M	psi / kg/cm <sup>2</sup> / inches Hg	30/2/30"
47760-V060M	psi / kg/cm <sup>2</sup> / inches Hg	60/4/30"
47760-V100M	psi / kg/cm <sup>2</sup> / inches Hg	100/7/30"

1/4" NPT, Brass		
PART NUMBER	SCALE	MAXIMUM PRESSURE
<b><math>\varnothing</math> 2" Diameter</b>		
60500-0030N	psi	30
60500-0060N	psi	60
60500-0100N	psi	100
60500-0200N	psi	200
60500-0400N	psi	400
60500-0600N	psi	600
60500-1000N	psi	1000
60500-2000N	psi	2000
60500-3000N	psi	3000
60500-4000N	psi	4000
60500-6000N	psi	6000
62838-0060N20	psi / bar	60/4
62838-0100N20	psi / bar	100/7
62838-0200N20	psi / bar	200/14
62838-0400N20	psi / bar	400/28
62838-0600N20	psi / bar	600/42
62838-1000N20	psi / bar	1000/69
62838-2000N20	psi / bar	2000/137
62838-3000N20	psi / bar	3000/207
62838-4000N20	psi / bar	4000/280
62838-6000N20	psi / bar	6000/414
<b><math>\varnothing</math> 2-1/2" Diameter</b>		
62838-0060N25	psi / bar	60/4
62838-0100N25	psi / bar	100/7
62838-0200N25	psi / bar	200/14
62838-0400N25	psi / bar	400/28
62838-0600N25	psi / bar	600/42
62838-2000N25	psi / bar	2000/137
62837-4000N25	psi / bar	4000/280
62837-7500N25	psi / bar	7500/517

Standard  $\varnothing$  2" and  $\varnothing$  2-1/2" Pressure Gauges

## Ordering Information

1/4" NPT, Stainless Steel			USAGE
PART NUMBER	SCALE	PRESSURE RANGE	
<b><math>\varnothing</math> 2" Diameter</b>			<b>Accessory for various TESCOM series</b> <ul style="list-style-type: none"> <li>• High Purity Compact Panel (VCR<sup>®</sup>)</li> <li>• Compact Panel (Corrosive Gases)</li> <li>• Point-of-Use Regulator (VCR<sup>®</sup>)</li> <li>• Wega Series (Corrosive Gases)</li> <li>• In-line Regulators, Stainless Steel</li> <li>• Automatic Changeovers, Stainless Steel</li> <li>• 44-1100 Series, Stainless Steel</li> <li>• 44-1800 Series, Stainless Steel</li> <li>• 44-2200 Series, Stainless Steel</li> <li>• 44-2300 Series, Stainless Steel</li> <li>• 64-3600 Series, Stainless Steel</li> <li>• 74-3000 Series, Stainless Steel</li> </ul>
4802-0300N	psi / bar	0 to 300 psi / 0 to 20 bar	
4802-0400N	psi / bar	0 to 400 psi / 0 to 28 bar	
4802-0600N	psi / bar	0 to 600 psi / 0 to 40 bar	
4802-1000N	psi / bar	0 to 1000 psi / 0 to 70 bar	
4802-3000N	psi / bar	0 to 3000 psi / 0 to 200 bar	
4802-4000N	psi / bar	0 to 4000 psi / 0 to 275 bar	
4802-6000N	psi / bar	0 to 6000 psi / 0 to 415 bar	
4802-V030N	psi / bar	-15 to 30 psi / -1 to 2 bar	
4802-V060N	psi / bar	-15 to 60 psi / -1 to 4 bar	
4802-V100N	psi / bar	-15 to 100 psi / -1 to 7 bar	
4802-V160N	psi / bar	-15 to 160 psi / -1 to 11 bar	
4802-V200N	psi / bar	-15 to 200 psi / -1 to 14 bar	
<b>1/4" VCR<sup>®</sup> Male Swivel, Stainless Steel</b>			
<b><math>\varnothing</math> 2" Diameter</b>			
4802-4000M	psi / bar	0 to 4000 psi / 0 to 275 bar	
4802-V030M	psi / bar	-15 to 30 psi / -1 to 2 bar	
4802-V060M	psi / bar	-15 to 60 psi / -1 to 4 bar	
4802-V100M	psi / bar	-15 to 100 psi / -1 to 7 bar	
4802-V160M	psi / bar	-15 to 160 psi / -1 to 11 bar	
4802-V200M	psi / bar	-15 to 200 psi / -1 to 14 bar	

Please consult TESCOM for other options (e.g. different pressure ranges or center back mount connections).

### Standard 1.9 inch / 50 mm Pressure Gauges

OPERATING PARAMETERS

**Standard Process Connection:** G 1/4" male/According to EN 562

**Marking:** bar, OXYGEN, TESCOM Logo



“Free of Oil and Grease”, EN 562

**Diameter:** 1.9 inch / 50 mm

**Array of connection:** 6 o'clock



**Ordering Information**

PART NUMBER	MAXIMUM PRESSURE*	RED MARK	THREAD	ARRAY OF CONNECTION	USAGE
<b>Low Pressure</b>					
D44150-00G0036	44 psi / 3 bar	22 psi / 1.5 bar	G 1/4"		<ul style="list-style-type: none"> <li>• TESCOM Point-of-Use Regulator, MiniLabo 2, Brass</li> <li>• TESCOM Wega Series, Brass</li> <li>• TESCOM Compact Panel, Brass</li> </ul>
D44150-00N0036	44 psi / 3 bar	22 psi / 1.5 bar	1/4" NPT		
D44150-00G0056	73 psi / 5 bar	44 psi / 3 bar	G 1/4"		
D44150-00G0156	218 psi / 15 bar	145 psi / 10 bar	G 1/4"		
D44150-00N0116	218 psi / 15 bar	----	1/4" NPT		
D44150-00G0406	580 psi / 40 bar	290 psi / 20 bar	G 1/4"		
<b>High Pressure</b>					
D44150-00G3156	4569 psi / 315 bar	2900 psi / 200 bar	G 1/4"		
D44150-12G0156	4569 psi / 315 bar	2900 psi / 200 bar	G 1/4"		
D44150-00G4016	5801 psi / 400 bar	----	G 1/4"		

\*Other connections, e.g. NPT or VCR® and pressure ranges are available on request.

### Standard 2.5 inch / 63 mm Oxygen Pressure Gauges

OPERATING PARAMETERS PRESSURE GAUGE

**Standard Process Connection:** G 1/4" male/According to EN 562

**Marking:** bar, OXYGEN, TESCOM Logo



“Free of Oil and Grease”, EN 562

**Diameter:** 2.5 inch / 63 mm

**Array of connection:** 6 o'clock



**Ordering Information**

PART NUMBER	MAXIMUM PRESSURE*	RED MARK	THREAD	ARRAY OF CONNECTION	USAGE
<b>Low Pressure</b>					
D44163-00G0156	218 psi / 15 bar	145 psi / 10 bar	G 1/4"		<ul style="list-style-type: none"> <li>• TESCOM Cylinder Regulator LABO</li> <li>• TESCOM Compact Panel, Brass</li> </ul>
D44163-00G0166	218 psi / 15 bar	----	1/4" NPT		
D44163-00G0266	363 psi / 25 bar	44 psi / 3 bar	G 1/4"		
<b>High Pressure</b>					
D44163-00G3156	4569 psi / 315 bar	2900 psi / 200 bar	G 1/4"		
D44163-00G4006	5801 psi / 400 bar	4351 psi / 300 bar	1/4" NPT		


\*Other connections, e.g. NPT or VCR® and pressure ranges are available on request.

### Safety Pressure Gauges with Solenoid Contact according to EN 562

GLOBAL TECHNICAL STANDARDS ACCORDING TO DIN 16005

**OPERATING PARAMETERS**

Suitable for oxygen and electronic control applications, solenoid spring contact and switch opens at decaying pressure.

**Material:** Stainless Steel  
**Type of protection:** IP 54  
**Standard process connection:** G 1/4" male\*/According to EN 562/ISO 5171  
**Marking:** bar, psi, TESCOM Logo, KL. 1.6, EN 562/EN 837-1  
 **"Free of Oil and Grease", EN 562**  
**Accuracy Class:** 1.6 According to EN 562 / ISO 5171  
**Array of connection:** 6 o'clock



**ORDERING INFORMATION**

PART NUMBER	MAXIMUM PRESSURE	RED MARK	DIAMETER	USAGE
D44500-00G3156	4569 psi / 315 bar	2900 psi / 200 bar	2.5 inches / 63 mm	<ul style="list-style-type: none"> <li>• TESCOM Compact Panel</li> <li>• TESCOM Inline Regulators</li> <li>• TESCOM Cylinder Regulators</li> </ul>
D44500-00G4006	5801 psi / 400 bar	4351 psi / 300 bar	1.6 inches / 40 mm	


\* Other connections, e.g. NPT or VCR® is available on request.

### Safety Pressure Gauges with Inductive Contact according to EN 562

GLOBAL TECHNICAL STANDARDS ACCORDING TO DIN 16005

**OPERATING PARAMETERS**

Suitable for oxygen and electronic control applications, contact break with falling pressure, 2m cable.

**Material:** 316L Stainless Steel  
**Type of protection:** EX II 1G Eex ia IIC T6  
**Diameter:** 2.5 inches / 63 mm  
**Standard process connection:** G 1/4" male\*/According to EN 562/ISO 5171  
**Marking:** bar, psi, TESCOM Logo, KL. 1.6, EN 562/EN 837-1  
 **"Free of Oil and Grease", EN 562**  
**Accuracy Class:** 1.6 According to DIN 16005  
**Array of connection:** 6 o'clock



**ORDERING INFORMATION**

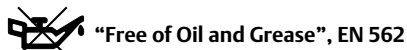
PART NUMBER	MAXIMUM PRESSURE	RED MARK	USAGE
D44272-00G3156	4569 psi / 315 bar	2900 psi / 200 bar	<ul style="list-style-type: none"> <li>• TESCOM High Purity Compact Panel (VCR®)</li> <li>• TESCOM Compact Panel</li> <li>• TESCOM Cylinder Regulators</li> </ul>
D44272-00G4006	5801 psi / 400 bar	4351 psi / 300 bar	

\* Other connections, e.g. 1/4" NPT or 1/4" VCR-M® and different pressure ranges from 0/15 up to 0/400 bar are available on request.

## Safety Pressure Gauges with Capsule Element

### OPERATING PARAMETERS

**Safety Standard:** According to VBG 61  
**Standard Process Connection:** G 1/2" male/According DIN EN 837-1  
**Marking:** mbar, OXYGEN, DIN, TESCOM Logo, KL.1.6



“Free of Oil and Grease”, EN 562

**Diameter:** 3.9 inch / 100 mm

**Accuracy Class:** 1.6 According to DIN EN 837-3

**Array of connection:** 6 o'clock



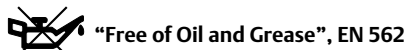
### ORDERING INFORMATION

PART NUMBER	MAXIMUM PRESSURE	USAGE
7232795	0-60 mbar	<ul style="list-style-type: none"> <li>• TESCOM Cylinder Regulator Regulus</li> <li>• TESCOM Cylinder Regulator Doppelregulus</li> </ul>
7232796	0-160 mbar	
7232797	0-600 mbar	
7232787	0-1.6 bar	

## Safety Pressure Gauges

### OPERATING PARAMETERS

**Safety Standard:** According to EN 837-1  
**Standard Process Connection:** G 1/8" male/According EN 562/ISO 5171  
**Marking:** bar/kPa or bar/psi or bar, oxygen, DIN, TESCOM Logo, Kl.2.5



“Free of Oil and Grease”, EN 562

**Accuracy Class:** 2.5/According EN 562/ISO 5171

**Array of connection:** 6 o'clock



### ORDERING INFORMATION

PART NUMBER	MAXIMUM PRESSURE	RED MARK	DIAMETER	USAGE
D44274-00G3156	315 bar / kPa x 100	200 bar / kPa x 100	1.6 inches / 40 mm	TESCOM Regulators for Medical
D44274-12G3156	315 bar / kPa x 100	200 bar / kPa x 100	1.6 inches / 40 mm	TESCOM Regulators for Medical
D45120-12G0026	36 psi / 2.5 bar	22 psi / 1.5 bar	1.6 inches / 40 mm	TESCOM Point-of-Use Regulators, MiniLabo 2
D51674-00G3156W	315 bar	----	1.9 inches / 50 mm	TESCOM Regulators for Medical

### ORDERING INFORMATION GASKETS FOR GAUGES

PART NUMBER	MATERIAL	PORT SIZE	THICKNESS	PART NUMBER	MATERIAL	PORT SIZE	THICKNESS
D1326	Brass	G 1/2"	0.75	D18909	Stainless Steel	G 1/4"	2.00
D13269	Brass	G 1/2"	1.00	D18929	Stainless Steel	G 1/4"	2.50
D13267	Brass	G 1/2"	1.50	D18930	Stainless Steel	G 1/4"	2.90
D12927	Brass	G 1/4"	0.50	D18909	Stainless Steel	G 1/4"	2.00
D12928	Brass	G 1/4"	0.75	D40583	Stainless Steel	G 1/4"	2.50
D12929	Brass	G 1/4"	1.00	V09535	Stainless Steel	1/4" VCR®	----
D42289	Brass	G 1/4"	2.00	D4917	Copper (Cu)	G 1/8"	0.50
D42339	Copper (Cu)	G 1/4"	3.30	D4916	Copper (Cu)	G 1/8"	0.75
V10055	Stainless Steel	G 1/4"	0.50	D4873	Copper (Cu)	G 1/8"	1.00



**WARNING!** Do not attempt to select, install, use or maintain this product until you have read and fully understood the *TESCOM Safety, Installation and Operation Precautions*.

DGAUGE1096XEN2 © 2012 Emerson Process Management Regulator Technologies, Inc. All rights reserved. 05/2012.  
 Tescom, Emerson Process Management, and the Emerson Process Management design are marks of one of the Emerson Process Management group of companies. All other marks are the property of their respective owners.